

# MAN FOR RENO DÈ MEDICI PAPERMILL IN OVARO

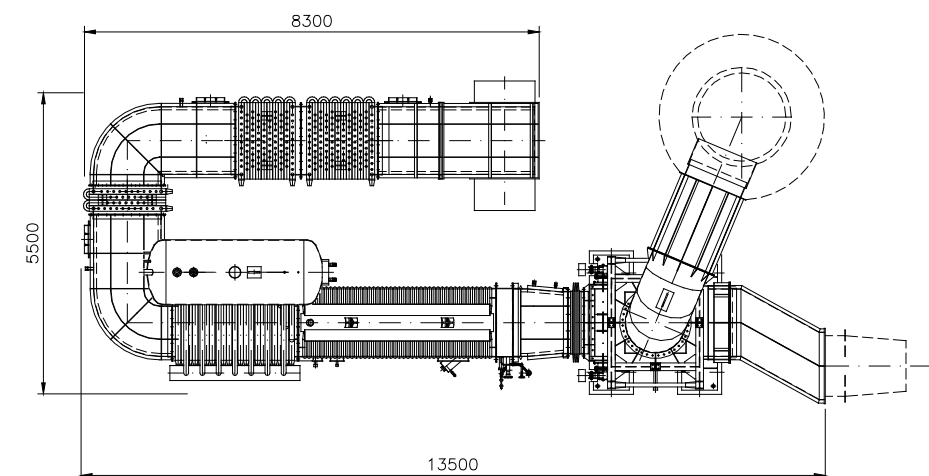
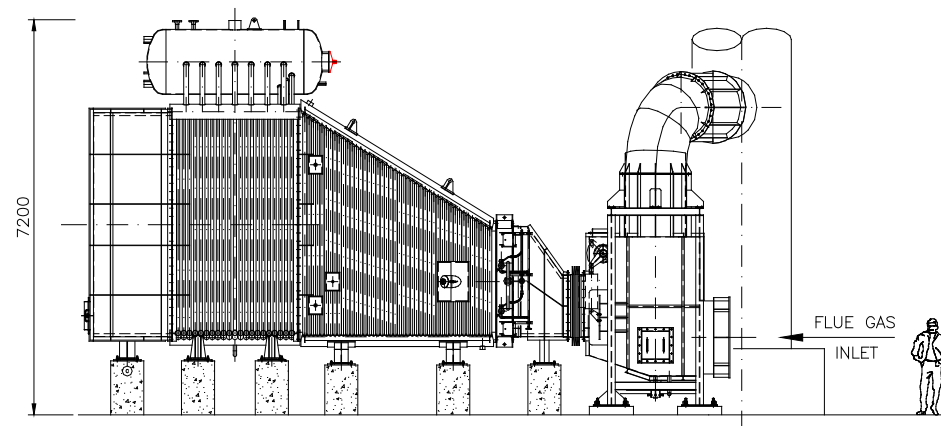
Shop number: 4275 – Erection year: 1997

## MAIN TECHNICAL DATA:

<b>Boiler</b>	Recovery	Post-Firing	
Steam flow	8	12	t/h
Operating pressure	8	8	barg
Inlet water temperature	145	145	°C
Outlet steam temperature	175	175	°C
Inlet gas temperature	440	560	°C
Outlet gas temperature	170	180	°C
Recovered heat	5	8	MW

<b>Water Heater</b>	Recovery	Post-Firing	
Water flow	30	65	t/h
Operating pressure	4	4	barg
Inlet water temperature	85	85	°C
Outlet water temperature	120	120	°C
Outlet gas temperature	110	30	°C
Recovered heat	1	1	MW

<b>Heat Source</b>	
Gas turbine	M.A.N. Solar Taurus 60
Gas flow	17 kg/s
Gas temperature	440 °C



LEGENDA:

- HEATER
- EVAPORIZER
- ECONOMIZER

